

QMAX

全自動打扣機

Automatic Snap Attaching Machine

FT-600



with finger protection

Servomotor making the machine **ultra quiet**

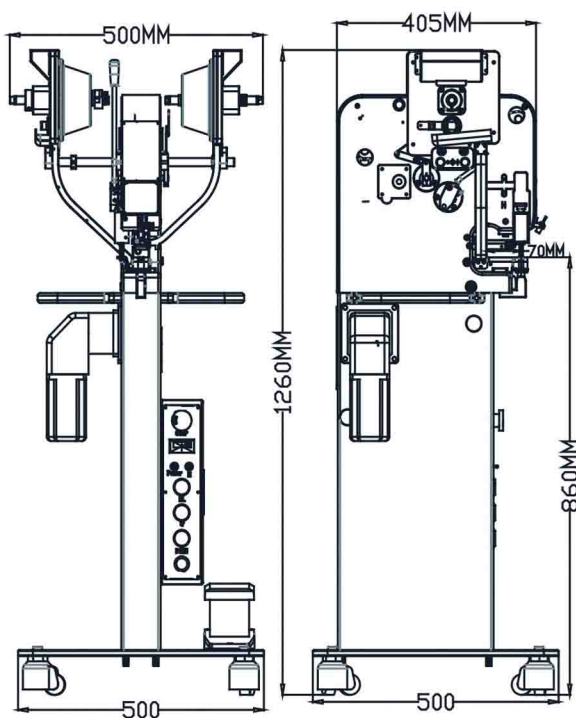


FT-600

新款全自动打扣机 FASTENING MACHINE

FT-600 全自动打扣机（2016）是花巨资从德国引进最先进的技术研发生产的成果。主要配件全部从日本进口，因此质量性能绝对有保证。这款打扣机是适用于各类型**塑胶扣**或**金属急钮**、**五爪钮扣**、**铆钉**等。这款自动打扣机绝对满足全球打钮扣工业的标准，保证用得安心。

FT-600 fully automatic snap fastening machine (2016) is highly engineered with imported state-of-the-art technology from Germany. All major parts are imported from Japan. Thus, quality performance is guaranteed. This snap attaching machine is customized to fit for **plastic snaps, metallic press snaps, prongs and rivets**. This automatic machine certainly meets the global industry standard in snap attaching with a peace of mind.



規 格 SPECIFICATION

转速 RATE OF ROTATION:	1410r.p.m
马力 MOTOR:	0.75KW(伺服马达) 750W (servomotor) / 220VAC
马达类型 MOTOR TYPE	伺服电机 SERVOMOTOR
机器重量 MACHINE WEIGHT	100Kg (1台) (PER UNIT)
体积 VOLUME	2.0CBM (2台) (PER TWO UNITS)

用 途 APPLICATIONS

"QMAX" is a trademark registered and solely distributed by HCL Asia Ltd unless with its authorization.

